

A. 包裝內容

■ 主機 X 1, 配件包 X 1(塑膠壁虎 X 3, 固定螺絲 X 3, 1N4004 X 1, 排線: 2pin X 1, 4pin X 1, 5pin X 1, 6pin X 1, 8pin X 1), CD X 1, 保固卡 X 1, 安裝指南 X 1

B. 安裝

■ 準備工作

1. 將牆面擦拭乾淨
2. 貼上定位防水橡膠片
3. 依照指示孔位鑽孔
4. 打入塑膠壁虎。

■ 使用機體下方明線孔安裝

1. 使用起子打開主機後蓋。
2. 用內附螺絲將後蓋固定在安裝位置。
3. 參考步驟 C 完成線路安裝。
4. 將纜線由下方出線孔穿出。

■ 使用機體後方暗線孔安裝

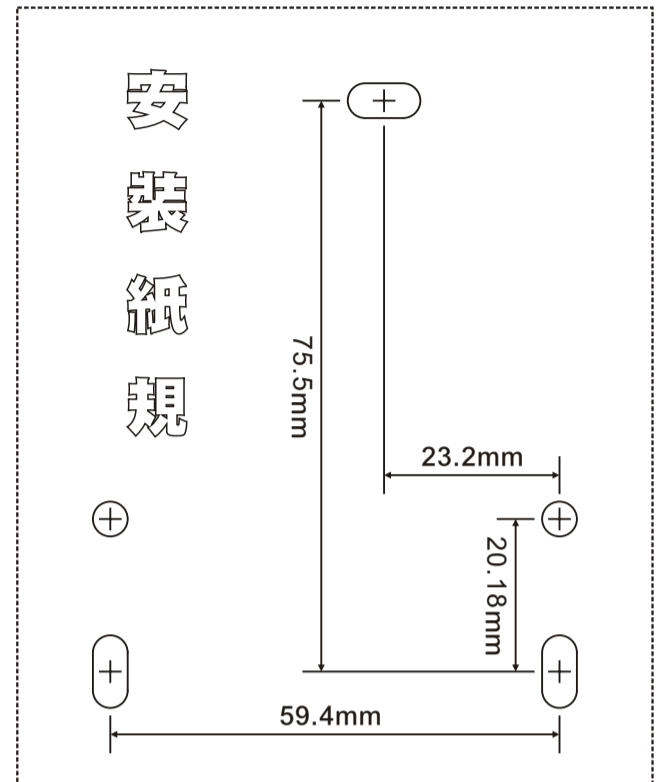
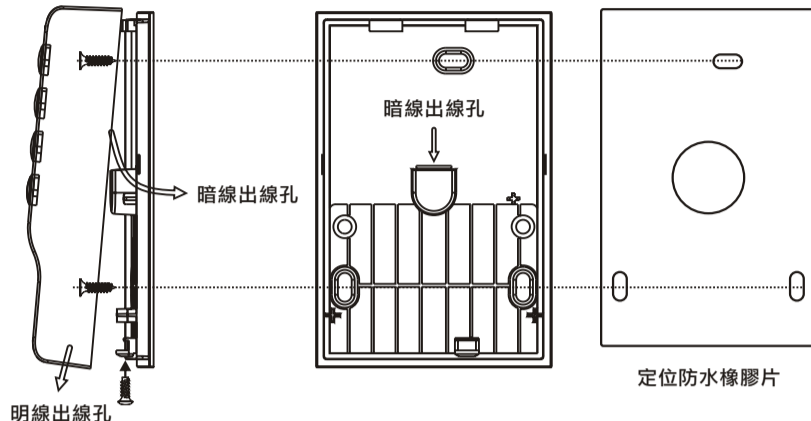
1. 使用起子打開主機後蓋。
2. 將纜線由後蓋出線孔穿出。
3. 用內附螺絲將後蓋固定在安裝位置。
4. 參考步驟 C 完成線路安裝。
5. 組合機體, 固定機體下方螺絲。

■ 外觀尺寸: 80 X 120 X 25 (mm)

■ 建議採用: 遮蔽電纜線, 線性直流電源, 網路線

■ 注意事項

- 除電源線外, 其他電線勿與電源接觸。
- 採用不符合規格之變壓器可能會造成系統不穩定或對硬體造成損傷。



■ 規格

- 電壓範圍: 9-24V DC
- 最大電流: 200 mA
- 微根通訊最遠距離: 80M
- RS-485 通訊最遠距離: 1000M

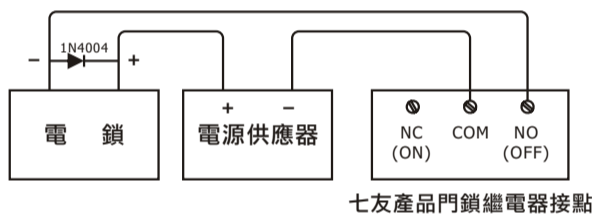
C. 系統配線圖

■ 排線說明

| Port | Pin | Signal | Color | Function |
|------|-----|--------|-------|--------------------|
| J8 | 1 | VIN+ | 紅色 | 電源 |
| | 2 | VIN- | 黑色 | |
| | 3 | DOOR | 紫色 | 開門按鈕 |
| | 4 | SENSOR | 藍色 | 磁簧開關 |
| | 5 | GND | 粉紅 | GND |
| | 6 | NC | 黃色 | |
| | 7 | NO | 白色 | |
| | 8 | COM | 淺綠 | 門鎖繼電器 |
| J7 | 1 | 485+ | 棕色 | 485 |
| | 2 | 485- | 灰色 | |
| | 1 | OD1 | 黑白 | 微根輸出 |
| | 2 | OD0 | 紅白 | |
| | 3 | OUT | 黃白 | TTL(5V) output |
| 4 | IN | 藍白 | 火警輸入 | |
| 5 | GND | 粉紅 | GND | |
| J4 | 1 | GND | 粉紅 | GND |
| | 2 | D0 | 白紅 | |
| | 3 | D1 | 白黑 | 微根輸入 |
| | 4 | LED | 黃黑 | 控制 WG 讀頭之 LED 與蜂鳴器 |
| | 5 | BUZ | 藍黑 | |
| J3 | 1 | GND | 粉紅 | GND |
| | 2 | D0 | 白紅 | |
| | 3 | D1 | 白黑 | 微根輸入 |
| | 4 | LED | 黃黑 | 控制 WG 讀頭之 LED 與蜂鳴器 |
| 5 | BUZ | 藍黑 | | |
| J1 | 1 | RX+ | 黑色 | RJ-45 |
| | 2 | RX- | 紅色 | |
| | 3 | TX+ | 綠色 | |
| | 4 | TX- | 黃色 | |
| 排線 | 1 | RX+ | 黑色 | RJ-45 |
| | 2 | RX- | 紅色 | |
| | 3 | TX+ | 綠色 | |
| | 4 | TX- | 黃色 | |
| 網路線 | 1 | 橘白 | 橘白 | RJ-45 |
| | 2 | 橘 | 橘 | |
| | 3 | 綠白 | 綠白 | |
| | 4 | 綠 | 綠 | |

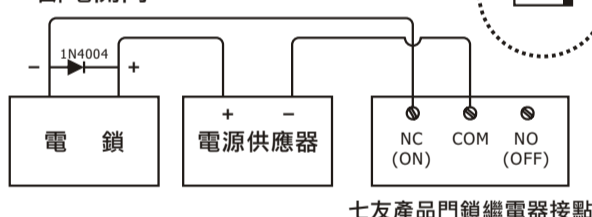
※ 門禁繼電器接點說明

• 通電開門



七友產品門鎖繼電器接點

• 斷電開門

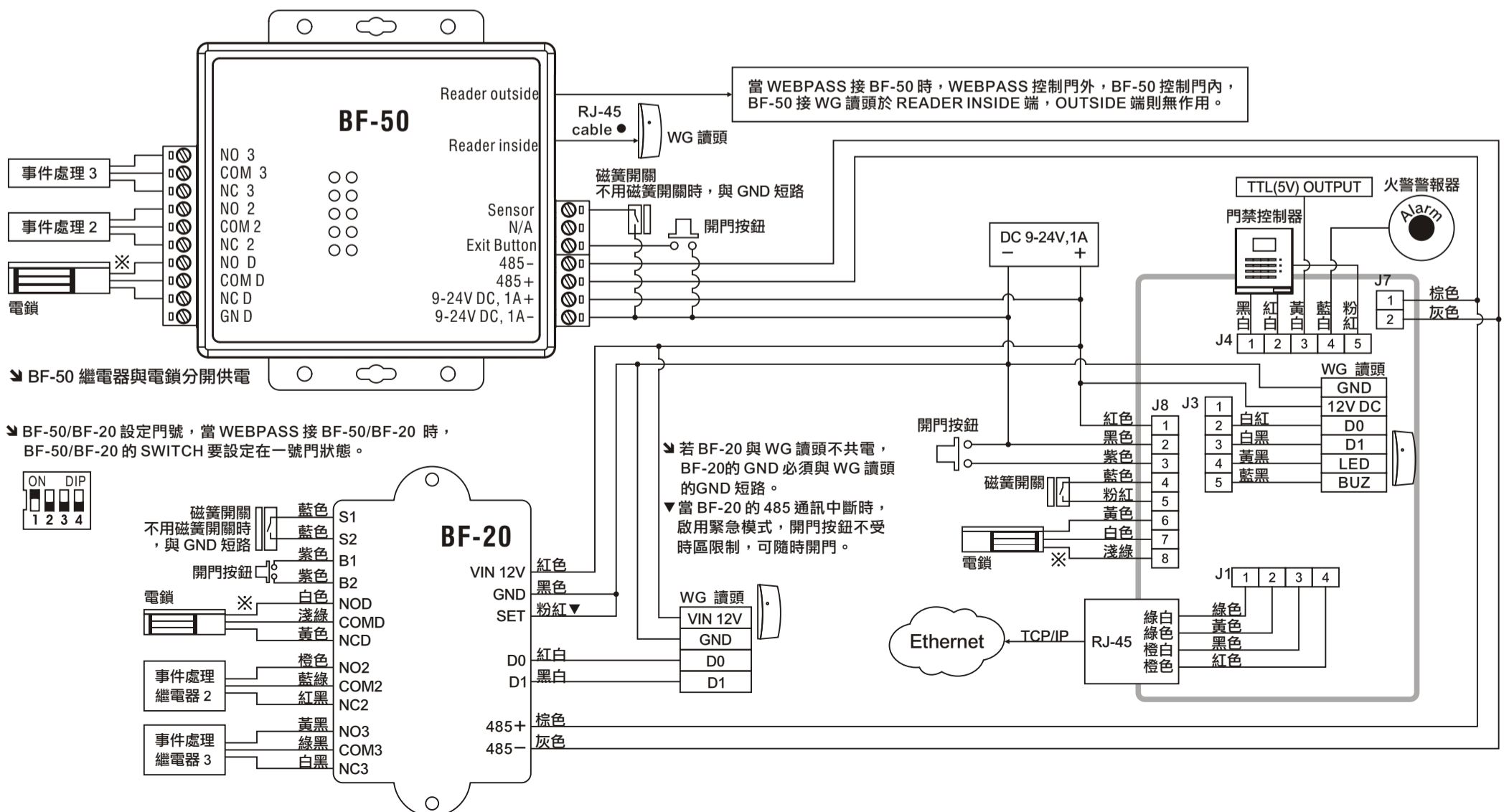


七友產品門鎖繼電器接點

● BF-50 的 RJ-45 與感應讀頭接線說明

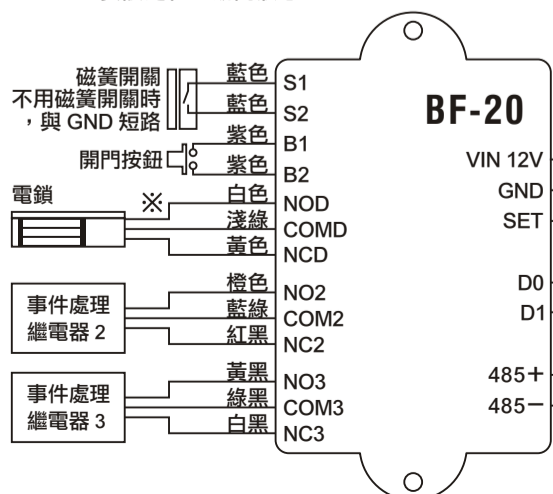
微根通訊最遠距離: 80M

| Pin | Color | Signal | Function |
|-----|-------|-----------------------|------------------------------|
| 1 | 橘白 | D0 | |
| 2 | 橘 | D1 | |
| 3 | 綠白 | 讀頭 LED 控制接點 | |
| 4 | 藍 | 讀頭蜂鳴器控制接點 | |
| 5 | 藍白 | 讀頭讀卡控制 (與 GND 短路才能讀卡) | |
| 6 | 綠 | 偵測讀頭 | |
| 7 | 棕白 | POWER- | DC 9-24V (輸出) 和 BF-50 輸入電壓相同 |
| 8 | 棕 | POWER+ | |



▼ BF-50 繼電器與電鎖分開供電

▼ BF-50/BF-20 設定門號, 當 WEBPASS 接 BF-50/BF-20 時, BF-50/BF-20 的 SWITCH 要設定在一號門狀態。



A. Package content

- Controller X 1, Accessory kit X 1 (Plastic screw X 3, Fastening screw X 3, 1N4004 X 1, Cable: 2pin X 1, 4pin X 1, 5pin X 2, 8pin X 1), CD X 1, Warranty card X 1, Installation Guide X 1

B. Installation

■ Preparation

- Wipe dust and wet from the wall.
- Fasten the waterproof plastic plate on the wall.
- Drill the holes indicating on the plastic plate.
- Fasten the plate with plastic screws to each holes.

■ Using the line hole under side

- Use the screw driver to open the back cover of host.
- Install the back cover by using the screws which attached inside.
- Please refer to process C to finish the installation.
- Pass the cable through the line hole under side.
- Combine the machine body, and then fix the screw under the machine.

■ Using the line hole at back cover

- Use the screw driver to open the back cover of host.
- Pass the cable through the line hole at the back cover.
- Install the back cover by using the screws which attached inside.
- Please refer to process C to finish the installation.
- Combine the machine body, and then fix the screw under the machine.

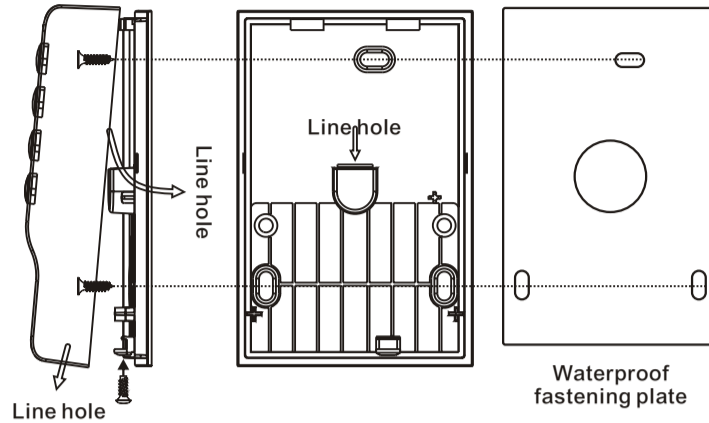
■ Physical Dimension: 80 X 120 X 25 (mm)

■ RECOMMENDED

- Cable with shielded, Linear DC power supply, Network cable.

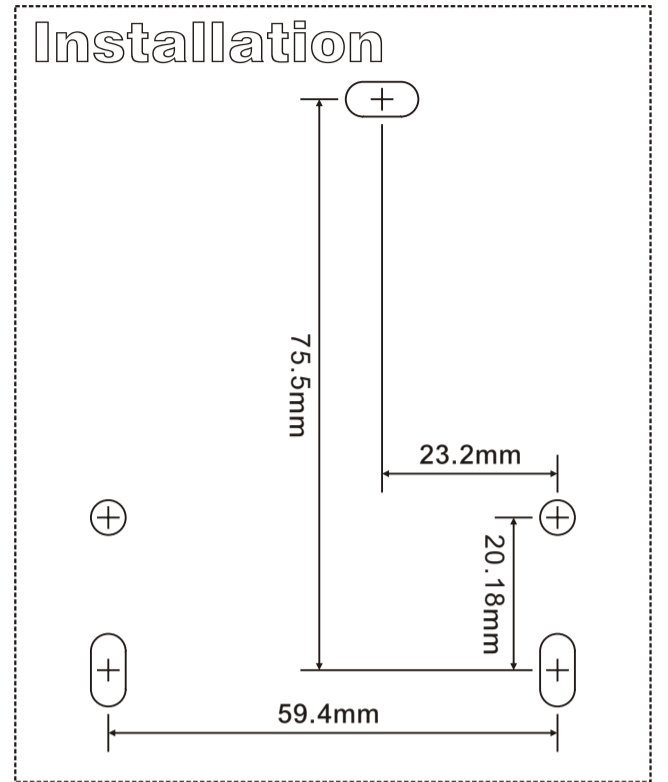
■ Notice

- Do not connect other cable to the power unit except red & black power cable.
- Do not apply any unverified power supply to the unit or the hardware system may be damaged or may cause system an unstable condition.



■ SPECIFICATIONS

- Voltage range: 9-24V DC
- Current max. Average: 200 mA
- Max distance for wiegand is 80M
- Max distance for RS-485 is 1000M



C. System Connection

■ Connector table

| Pin | Label | Color | Function |
|-----|--------|-------------|-------------|
| 1 | VIN+ | RED | POWER |
| 2 | VIN- | BLACK | |
| 3 | DOOR | VIOLET | EXIT BUTTON |
| 4 | SENSOR | BLUE | SENSOR |
| 5 | GND | PINK | GND |
| 6 | NC | YELLOW | DOOR RELAY |
| 7 | NO | WHITE | |
| 8 | COM | LIGHT GREEN | |

| Pin | Label | Color | Function |
|-----|-------|-------|----------|
| 1 | 485+ | BROWN | 485 |
| 2 | 485- | GREY | |

| Pin | Label | Color | Function |
|-----|-------|--------------|------------------|
| 1 | OD1 | BLACK WHITE | WIEGAND OUT |
| 2 | OD0 | RED WHITE | |
| 3 | OUT | YELLOW WHITE | TTL(5V) output |
| 4 | IN | BLUE WHITE | FIRE ALARM INPUT |
| 5 | GND | PINK | GND |

| Pin | Label | Color | Function |
|-----|-------|--------------|---------------------------------------------|
| 1 | GND | PINK | GND |
| 2 | D0 | WHITE RED | WIEGAND IN |
| 3 | D1 | WHITE BLACK | |
| 4 | LED | YELLOW BLACK | Used to control LED and Buzzer of WG Reader |
| 5 | BUZ | BLUE BLACK | |

| Pin | Cable | Color | LAN Cable | Function |
|-----|-------|--------|--------------|----------|
| 1 | RX+ | BLACK | ORANGE WHITE | RJ-45 |
| 2 | RX- | RED | ORANGE | |
| 3 | TX+ | GREEN | GREEN WHITE | |
| 4 | TX- | YELLOW | GREEN | |

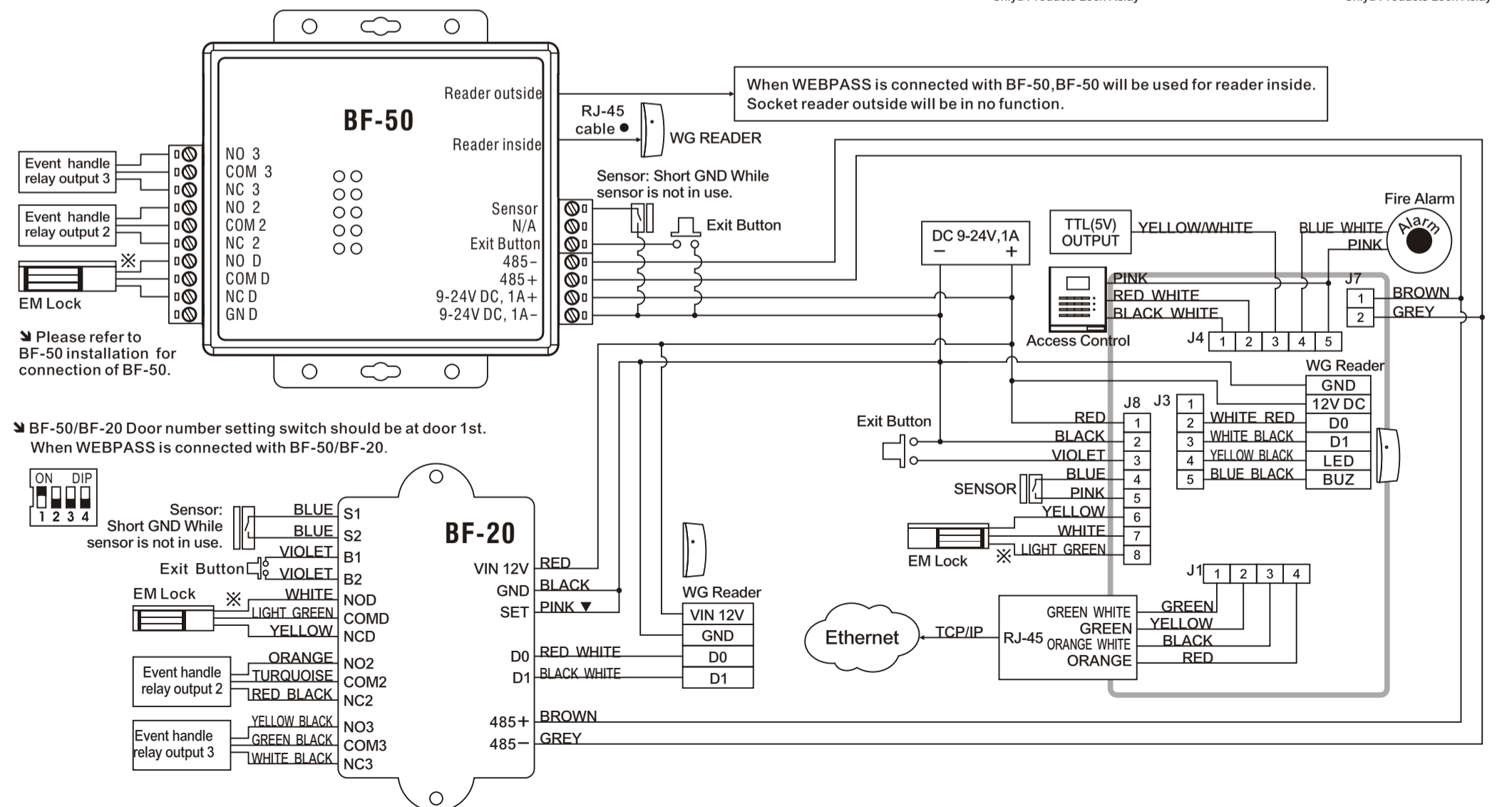
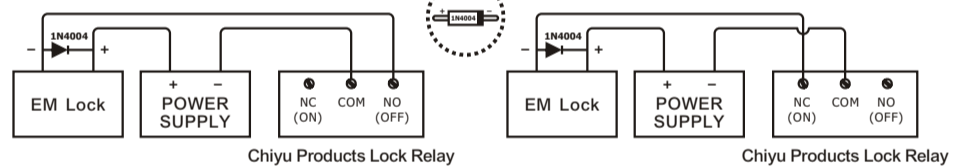
● BF-50 RJ-45 Cable Color Read for Reader Connection

Max distance for wiegand is 80M

| Pin | Color | Function | |
|-----|--------------|------------------------------------------|---------------------------------------------------|
| 1 | ORANGE WHITE | D0 | |
| 2 | ORANGE | D1 | |
| 3 | GREEN WHITE | Output, Controlled the LED of Reader | |
| 4 | BLUE | Output, Controlled the Buzzer of Reader | |
| 5 | BLUE WHITE | Reader sensing control (Must short GND) | |
| 6 | GREEN | To detect Reader | |
| 7 | BROWN WHITE | POWER- | 9-24V DC power output, same as BF-50 power input. |
| 8 | BROWN | POWER+ | |

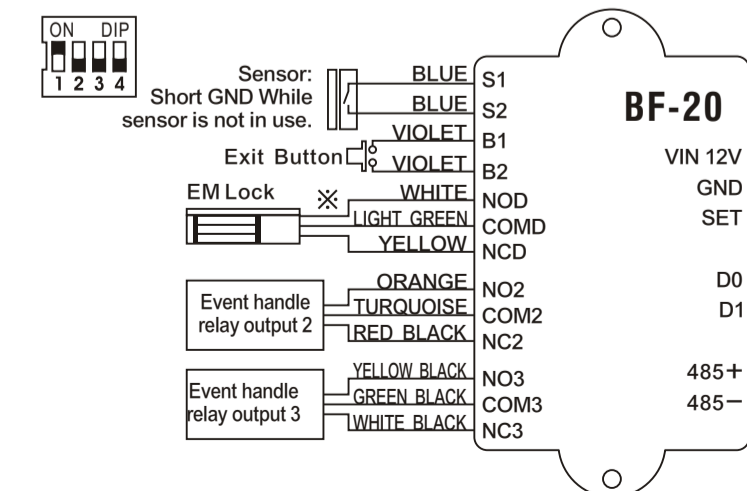
※ Door Relay Connect.

● Fail Secure Lock



Please refer to BF-50 installation for connection of BF-50.

BF-50/BF-20 Door number setting switch should be at door 1st. When WEBPASS is connected with BF-50/BF-20.



If BF-20 doesn't use common battery with WG reader, GND of BF-20 must be short-circuited with GND of WG reader.

Emergency mode enable:

Exit button 'can't be limited by time zone setting when RS-485 disconnect, door still can be opened.