

### A. 包裝內容

■ 主板 X 1, 配件包 X 1 (螺絲 X 4, 間隔柱 X 4, RJ-45 接線 X 2, 2pin 排線 X 1), CD X 1, 保固卡 X 1, 安裝指南 X 1

### B. 安裝

■ 外觀尺寸: 143x93(114)x21 (mm)

■ 建議採用: 遮蔽電纜線, 線性直流電源, 網路線

■ 規格

- 電壓範圍: 9-24 VDC
- 最大電流: 1 A
- 微根通訊最遠距離: 80M
- 485 通訊最遠距離: 1000M

■ 注意事項

- 除電源線外, 其他電線勿與電源接觸。
- 採用不符合規格之變壓器可能會造成系統不穩定或對硬體造成損傷。

■ 選購

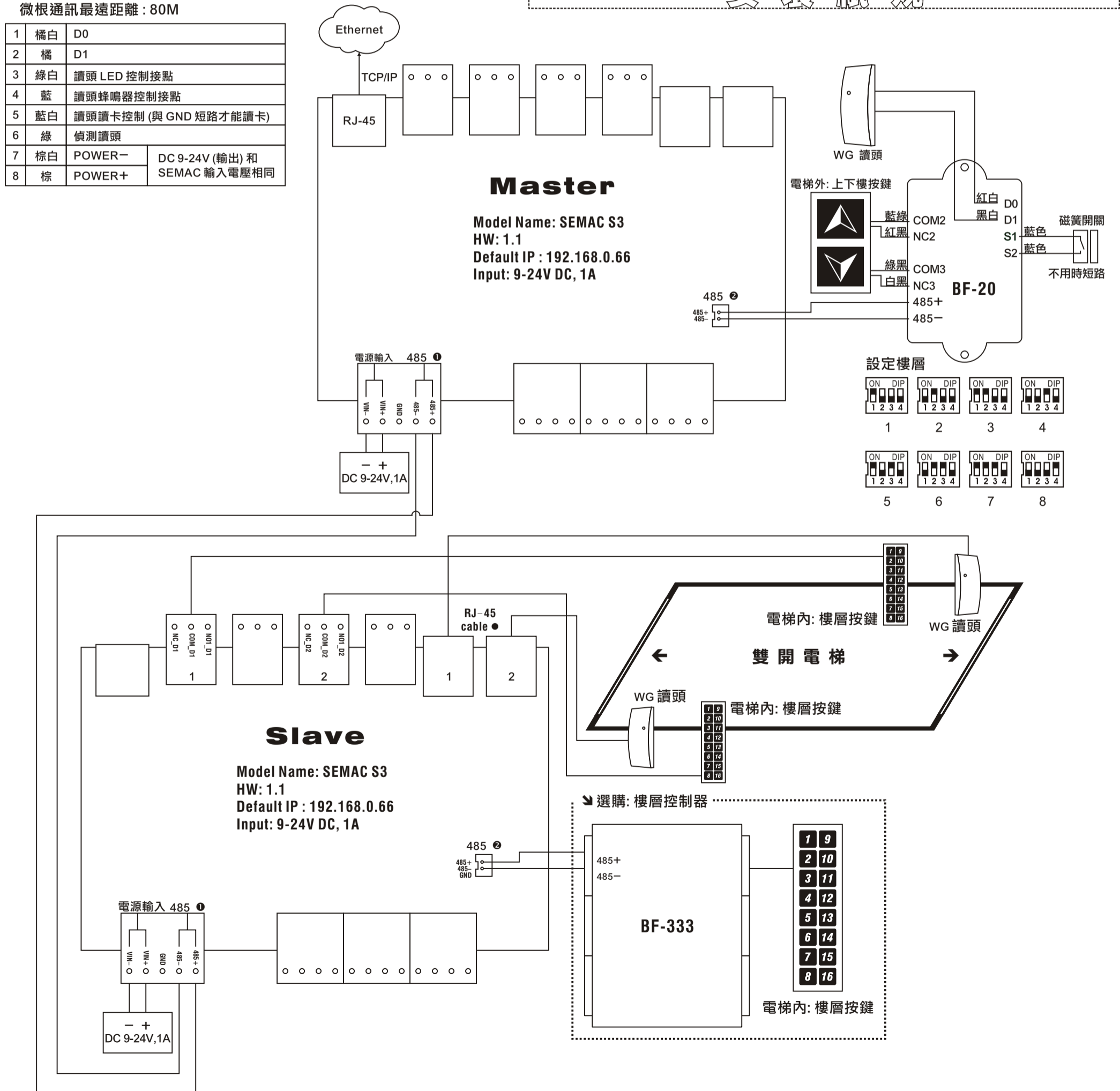
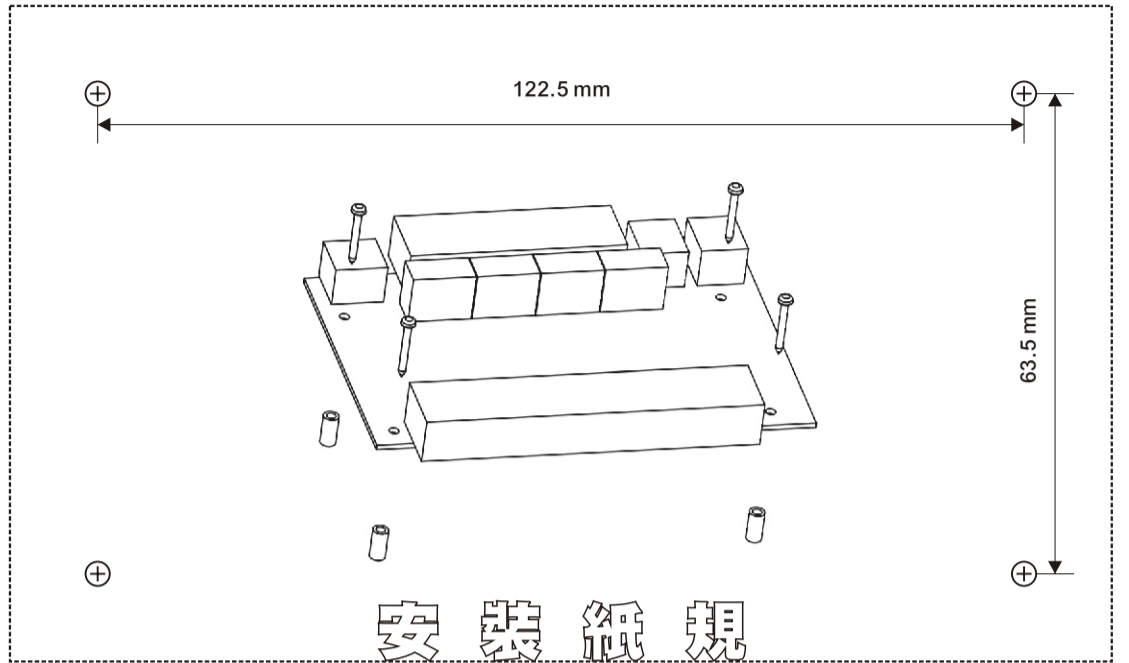
- 機箱尺寸: 225 X 285 X 85 (mm)
- LED 狀態指示: ACT, ERR

### C. 系統配線圖

● RJ-45 與 WG 感應讀頭接線說明

微根通訊最遠距離: 80M

1	橘白	D0	
2	橘	D1	
3	綠白	讀頭 LED 控制接點	
4	藍	讀頭蜂鳴器控制接點	
5	藍白	讀頭讀卡控制 (與 GND 短路才能讀卡)	
6	綠	偵測讀頭	
7	棕白	POWER-	DC 9-24V (輸出) 和 SEMAC 輸入電壓相同
8	棕	POWER+	



## A. Package content

- Controller X 1, Accessory kit X 1 (Screw X 4, Spacer X 4, RJ-45 Cable X 2, 2pin Cable X 1), CD X 1, Warranty card X 1, Installation Guide X 1

## B. Installation

- Physical Dimension: 143x93(114)x21 (mm)
- Recommended: Cable with shielded, Linear DC power supply, Network cable.
- SPECIFICATIONS

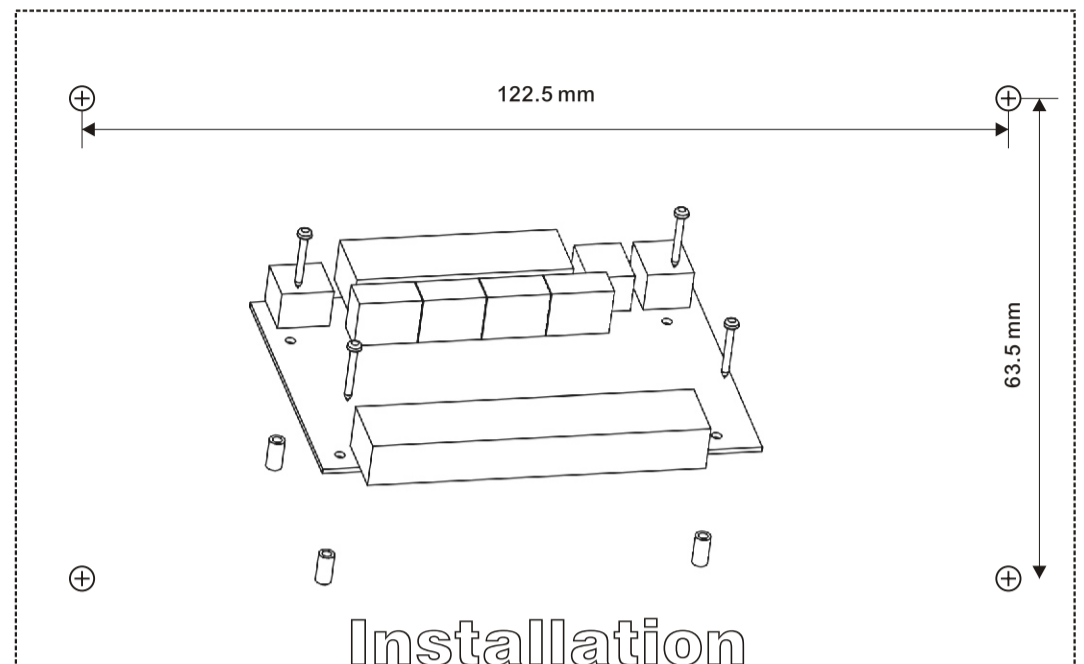
- Voltage range: 9-24 VDC
- Current max. Average: 1 A
- Max distance for wiegand is 80M
- Max distance for RS-485 is 1000M

### ■ Notice

- Do not connect other contacts to the power unit except power contacts.
- Do not apply any unverified power supply to the unit or the hardware system may be damaged or may cause system an unstable condition.

### ■ Optional

- Controller box Dimension: 225 X 285 X 85 (mm)
- LED indicatorb : ACT, ERR



## C. System Connection

### • RJ-45 Cable Color Read for Reader Connection

Max distance for wiegand is 80M

1	ORANGE WHITE	D0	
2	ORANGE	D1	
3	GREEN WHITE	Output, Controlled the LED of Reader	
4	BLUE	Output, Controlled the Buzzer of Reader	
5	BLUE WHITE	Reader sensing control ( Must short GND)	
6	GREEN	To detect Reader	
7	BROWN WHITE	POWER-	9-24V DC power output, same as SEMAC power input.
8	BROWN	POWER+	

