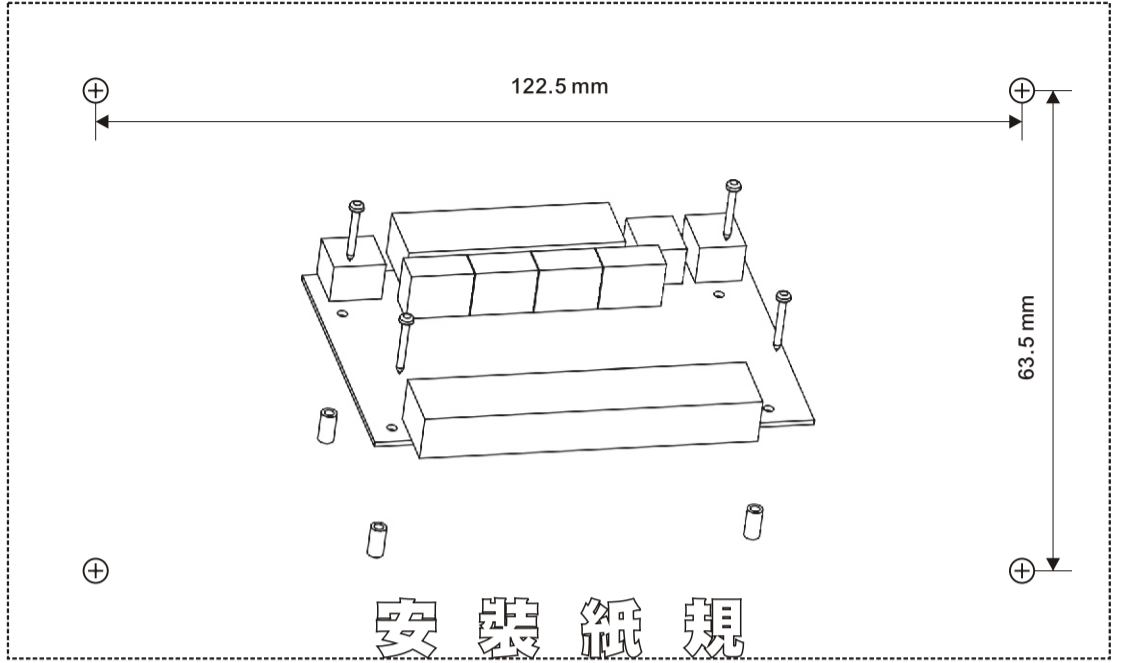


A. 包裝內容

■ 主板 X 1, 配件包 X 1 (螺絲 X 4, 間隔柱 X 4, RJ-45 接線 X 2, 1N4004 X 1), CD X 1, 保固卡 X 1, 安裝指南 X 1

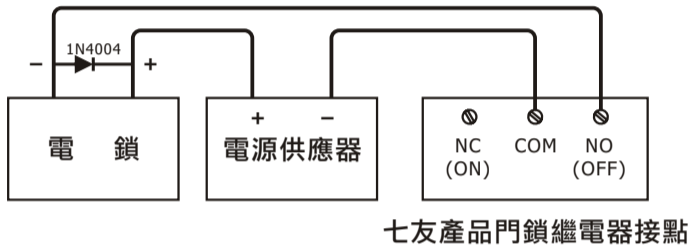
B. 安裝

- 外觀尺寸: 143x93(114)x21 (mm)
- 建議採用: 遮蔽電纜線, 線性直流電源, 網路線
- 規格
 - 電壓範圍: 9-24 VDC
 - 最大電流: 1A
 - 微根通訊最遠距離: 80M
 - 485 通訊最遠距離: 1000M
- 注意事項
 - 除電源線外, 其他電線勿與電源接觸。
 - 採用不符合規格之變壓器可能會造成系統不穩定或對硬體造成損傷。
- 選購
 - 機箱尺寸: 225 X 285 X 85 (mm)
 - LED 狀態指示: ACT, ERR

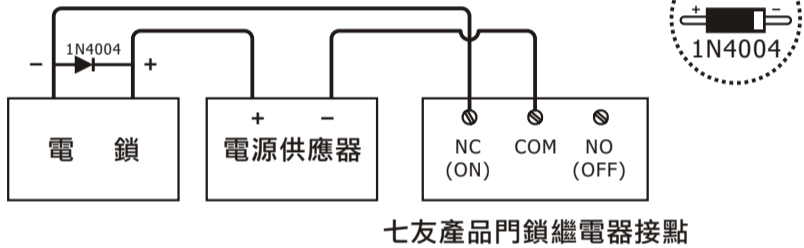


C. 系統配線圖

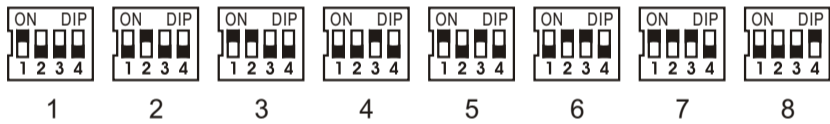
※ 門禁繼電器接點說明
• 通電開門



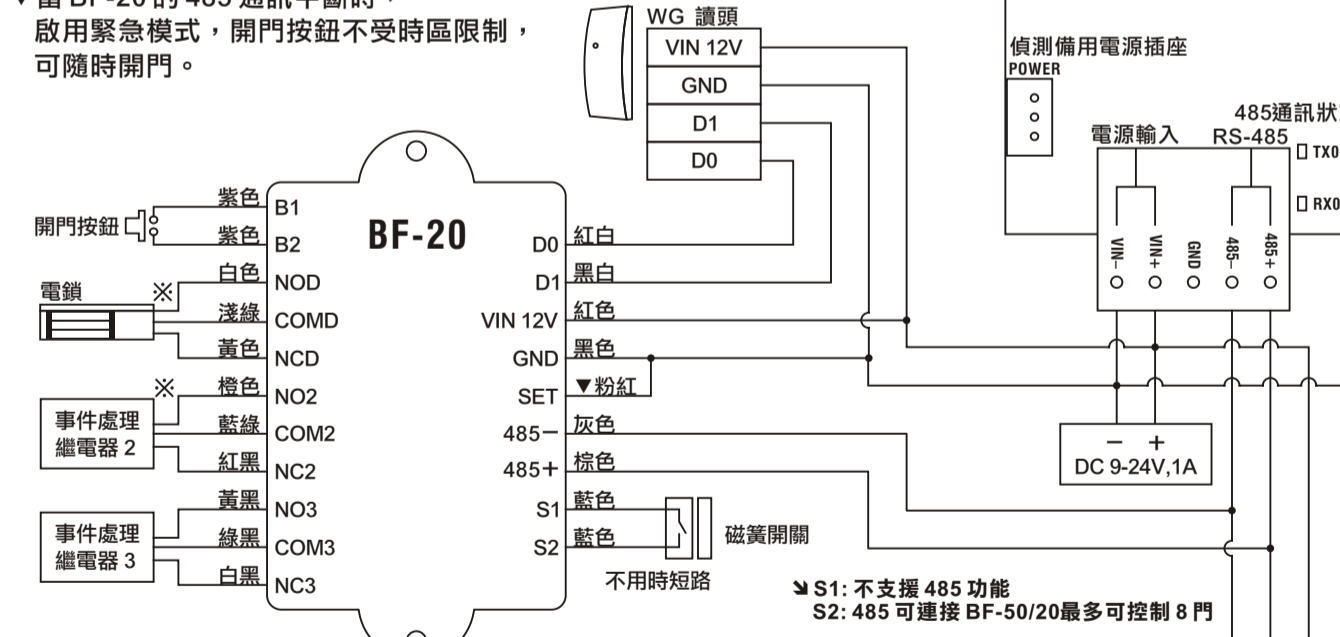
• 斷電開門



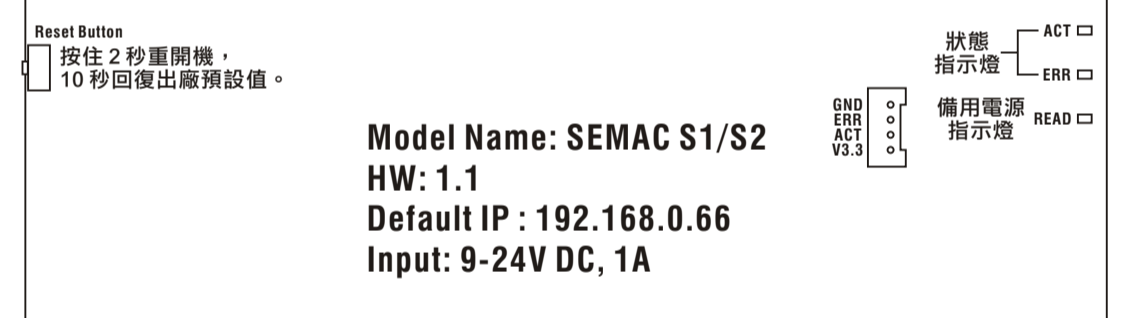
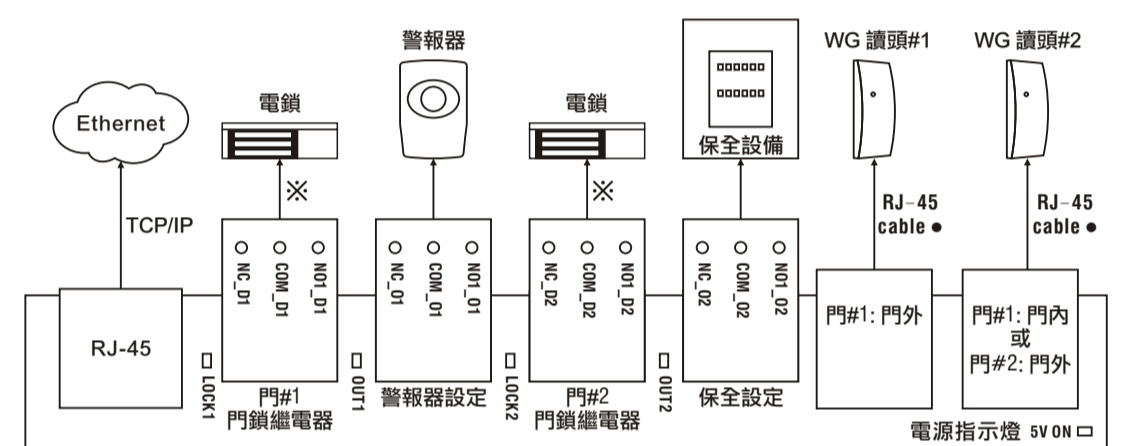
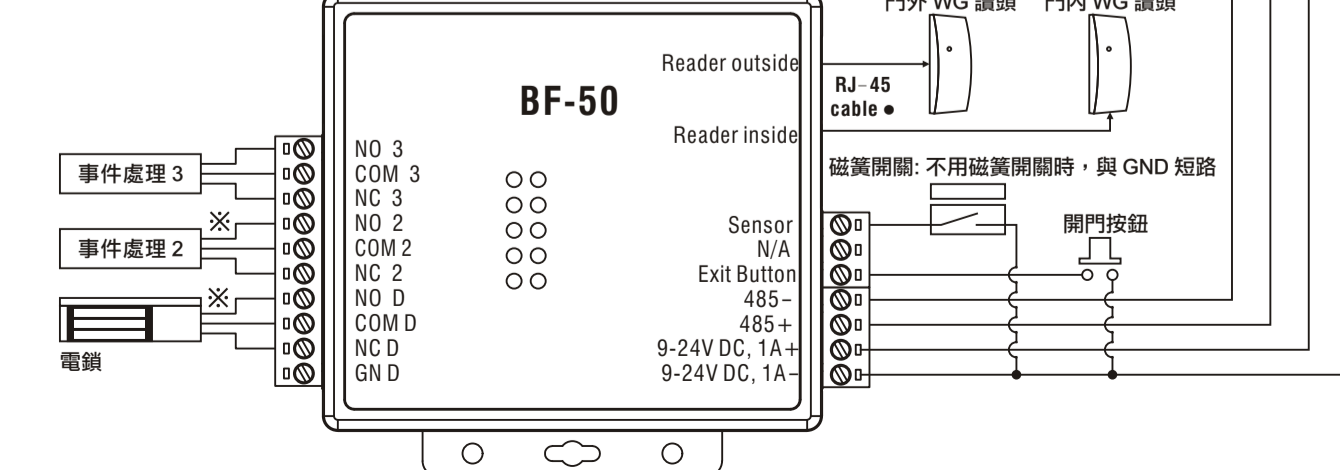
▼ BF-50/BF-20 設定門號



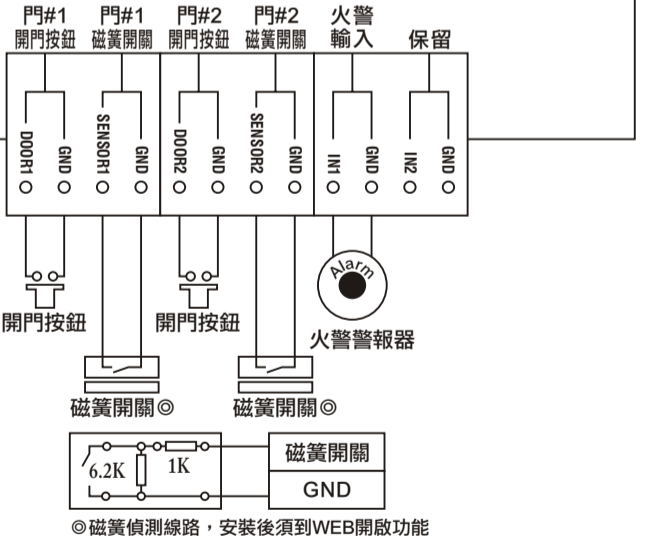
- ▼ 若 BF-20 與 WG 讀頭不共電, BF-20 的 GND 必須與 WG 讀頭的 GND 短路。
- ▼ 當 BF-20 的 485 通訊中斷時, 啟用緊急模式, 開門按鈕不受時區限制, 可隨時開門。



- ▼ 事件處理 2 可用於雙繼電器電鎖
- ▼ BF-50 與電鎖分開供電



Model Name: SEMAC S1/S2
HW: 1.1
Default IP: 192.168.0.66
Input: 9-24V DC, 1A



● RJ-45 Cable 與 WG 感應讀頭接線說明
微根通訊最遠距離: 80M

1	橘白	D0
2	橘	D1
3	綠白	讀頭 LED 控制接點
4	藍	讀頭蜂鳴器控制接點
5	藍白	讀頭讀卡控制 (與 GND 短路才能讀卡)
6	綠	偵測讀頭
7	棕白	POWER-
8	棕	POWER+

DC 9-24V (輸出) 和 SEMAC 輸入電壓相同

A. Package content

- Controller X 1, Accessory kit X 1 (Screw X 4, Spacer X 4, RJ-45 Cable X 2, 1N4004 X 1), CD X 1, Warranty card X 1, Installation Guide X 1

B. Installation

- Physical Dimension: 143x93(114)x21 (mm)
- Recommended: Cable with shielded, Linear DC power supply, Network cable.
- SPECIFICATIONS

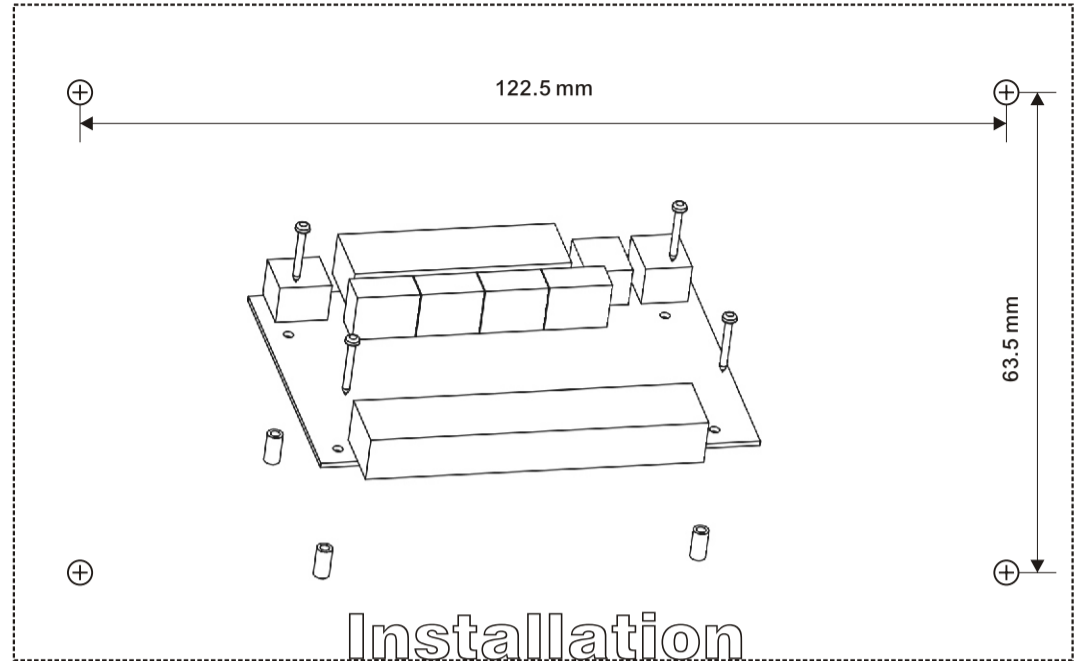
- Voltage range: 9-24 VDC
- Current max. Average: 1A
- Max distance for wiegand is 80M
- Max distance for RS-485 is 1000M

■ Notice

- Do not connect other contacts to the power unit except power contacts.
- Do not apply any unverified power supply to the unit or the hardware system may be damaged or may cause system an unstable condition.

■ Optional

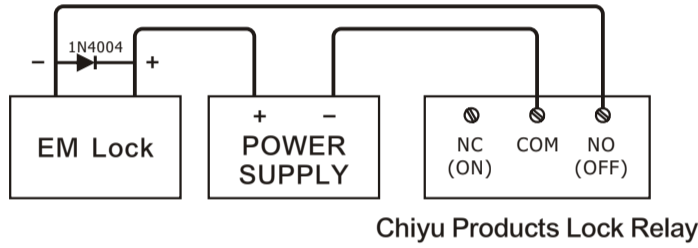
- Controller box Dimension: 225 X 285 X 85 (mm)
- LED indicatorb : ACT, ERR



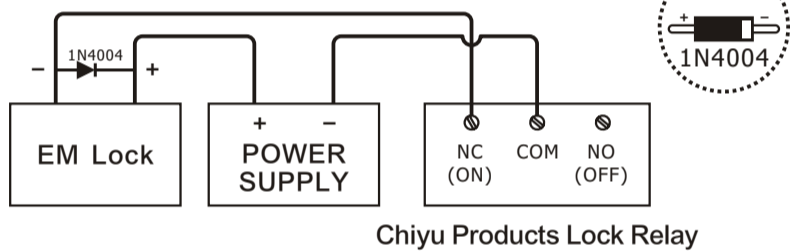
C. System Connection

✧ Door Relay Connect.

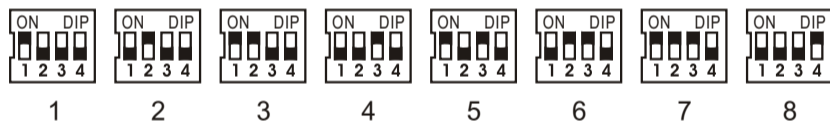
- Fail Secure Lock



- Fail Safe Lock



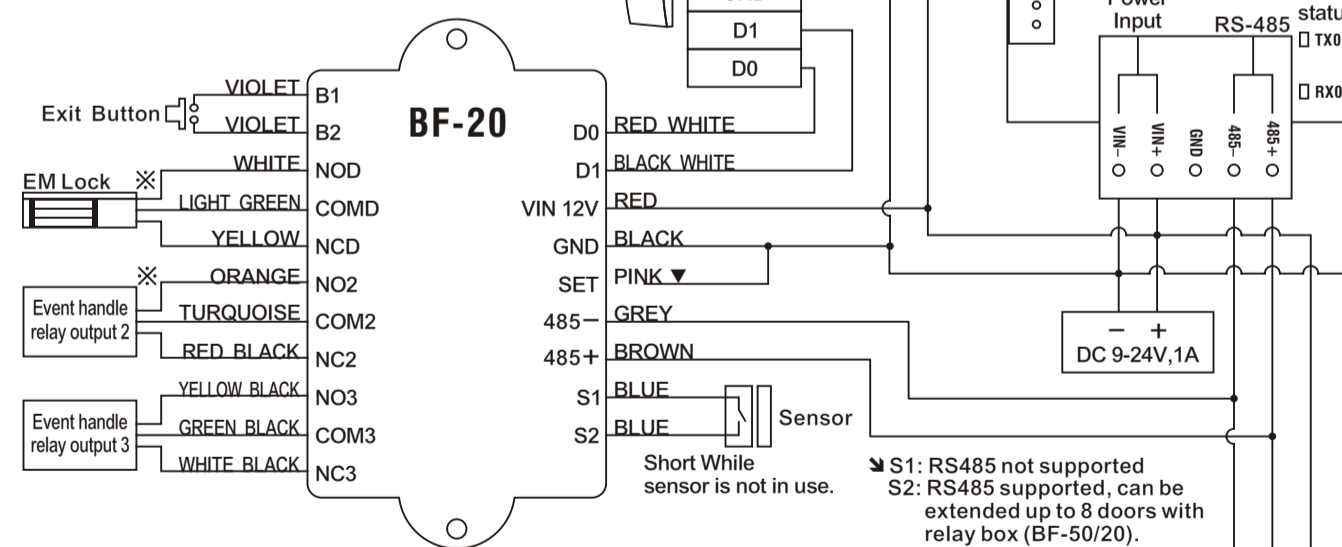
▼ BF-50/BF-20 Door number setting



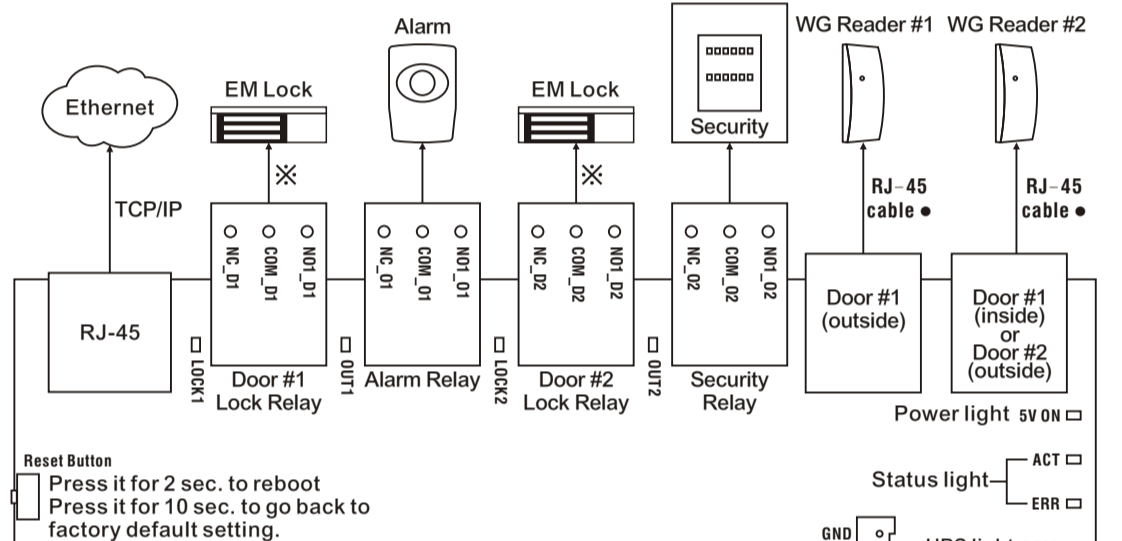
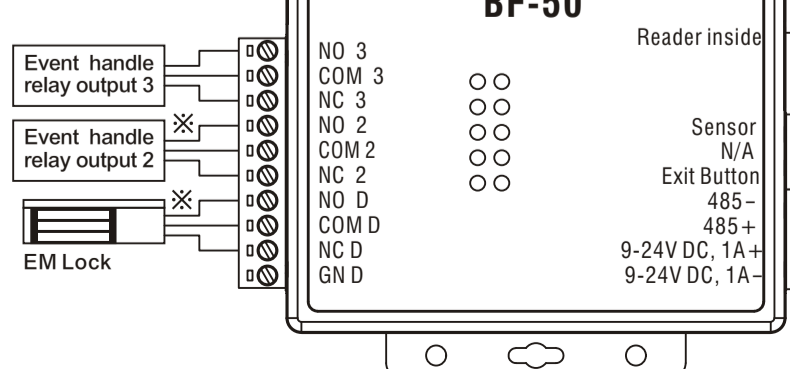
- ▼ If BF-20 doesn't use common battery with WG reader, GND of BF-20 must be short-circuited with GND of WG reader.

▼ Emergency mode enable:

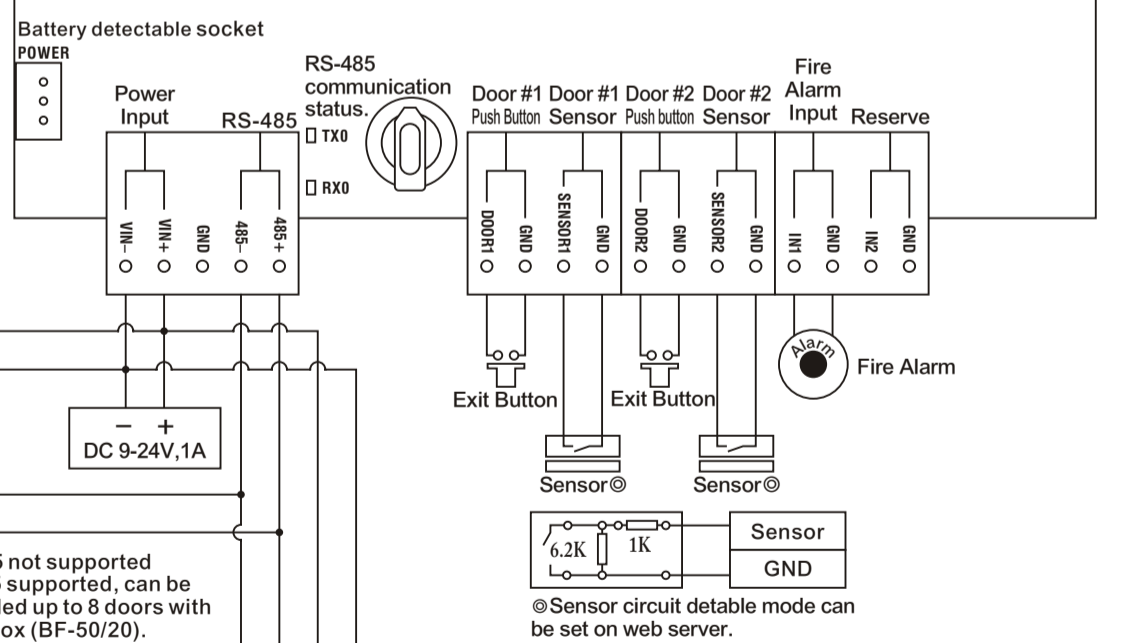
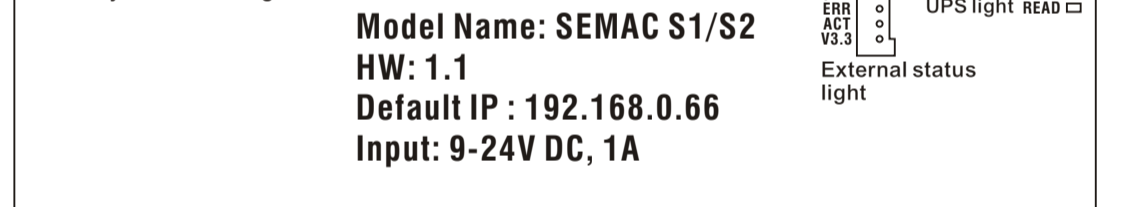
Exit button 'can't be limited by time zone setting when RS-485 disconnect, door still can be opened.



- ▼ Event Handle 2 : Used for Event Handle and also for dual-relay needed magnetic lock.
- ▼ Please refer to BF-50 installation for connection of BF-50.



Model Name: SEMAC S1/S2
HW: 1.1
Default IP : 192.168.0.66
Input: 9-24V DC, 1A



● RJ-45 Cable Color Read for Reader Connection Max distance for wiegand is 80M

Pin	Color	Function
1	ORANGE WHITE	D0
2	ORANGE	D1
3	GREEN WHITE	Output, Controlled the LED of Reader
4	BLUE	Output, Controlled the Buzzer of Reader
5	BLUE WHITE	Reader sensing control (Must short GND)
6	GREEN	To detect Reader
7	BROWN WHITE	POWER-
8	BROWN	POWER+

9-24V DC power output, same as SEMAC power input.